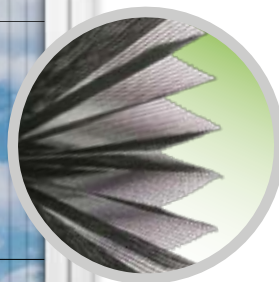
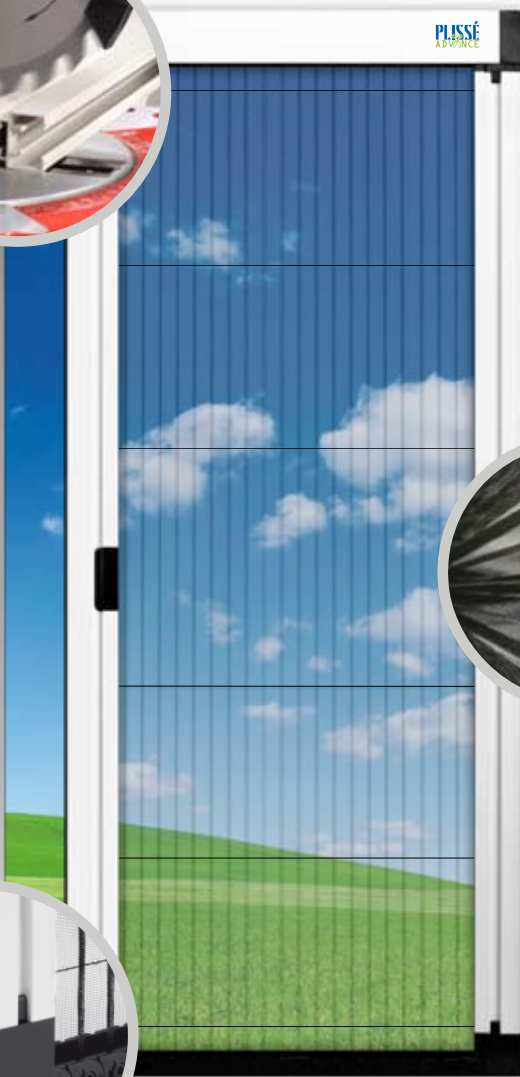


PLISSÉ
ADVANCE

Genius
GROUP

A Genius exclusivity: The original Plissé now available in kit form!



Pleated Mesh Flyscreen

Resizable

FANDIS S.p.A.
Via per Castelletto 65/69, 28040 Borgo Ticino (NO) - Italy
Tel. +39 0321 96 32 32 - Fax +39 0321 96 32 96

Kit

KIT / RESIZABLE PLISSE ADVANCE

The Plissé Advance is an exclusive innovation issued by the Genius Group Research and Development Department. The Plissé Advance has the same look and quality standards of the original Plissé but, unlike it, it can be reduced by 40cm in the height. No more need to order the Plissés factory made one by one: in a few steps the Plisse Advance kit can be adjusted to the required measurements.

Plissé Advance: easy stock handling, higher reactivity and more flexibility.

Dimensions

Plissé Advance is available in kit form following the dimensions listed here below. More size options available upon request.

• KIT ADVANCE 2300

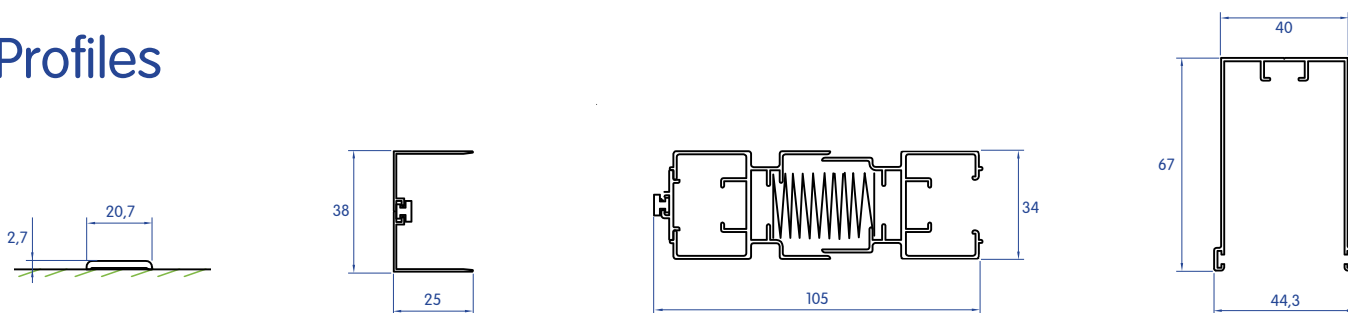
• KIT ADVANCE 2450

• KIT ADVANCE 2650

Max. Width in mm	Min. / Max. Height mm	Min. / Max. Height mm	Min. / Max. Height mm
1000	1900 / 2300	2050 / 2450	2250 / 2650
1250	1900 / 2300	2050 / 2450	2250 / 2650
1500	1900 / 2300	2050 / 2450	2250 / 2650
1700	1950 / 2300	2050 / 2450	2250 / 2650

Important notice: the height must be 25cm bigger than the width.

Profiles



Opening options

